



Intrepid FlexBurn in Twilight enamel

## Intrepid



Compact and efficient, the Intrepid wood stove offers the classic warmth and timeless beauty, now with the convenience of FlexBurn Technology. The style and strength of 100% cast iron construction, combined with features not found often on stoves of this size, put the Intrepid FlexBurn in a class of its own. When paired with the optional catalytic performance pack, it becomes the cleanest burning wood stove ever certified by the EPA.



Timeless cast iron styling with a furniture-quality finish



Convenient top load keeps smoke and ash contained and increases load capacity



Exclusive swing-out ash pan allows you to cleanly remove ashes, even when the stove is hot



Cast iron griddle top offers a versatile cooking surface for the stovetop chef

Peak BTU/hr Output <sup>1</sup>	37,000
Heating Capacity <sup>2</sup>	600 - 1,800 sq ft
Maximum Burn Time	8 hrs
Efficiency <sup>3</sup>	LHV: 83% (Catalytic) 80% (Non-Catalytic) HHV: 77% (Catalytic) 74% (Non-Catalytic)
Emissions	0.3 g/hr (Catalytic) 0.6 g/hr (Non-Catalytic)
Firebox Capacity	1.31 cu ft
Recommended Log Length	14"
Actual Weight	348 lbs

### STOVE FINISHES



CLASSIC BLACK

BORDEAUX ENAMEL

MAJOLICA BROWN ENAMEL

TWILIGHT ENAMEL

# FlexBurn® Technology

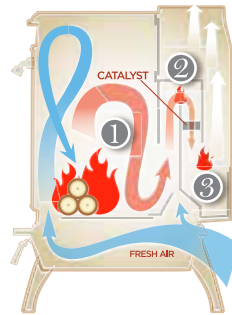
Save money and use less wood with a catalyst. Increase your heating efficiency and lower your stove emissions, ensuring you get the most out of each load of wood.



**START UP**  
Primary burn started and fueled by fresh air with the bypass damper open

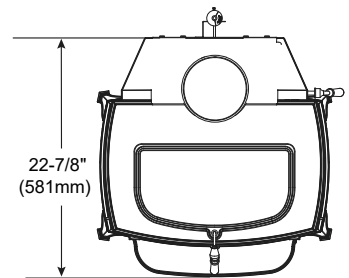
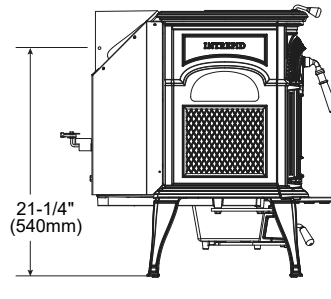
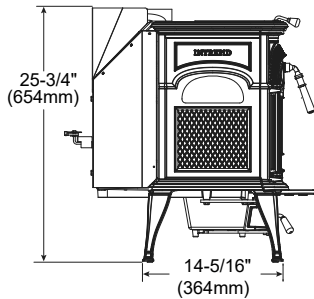
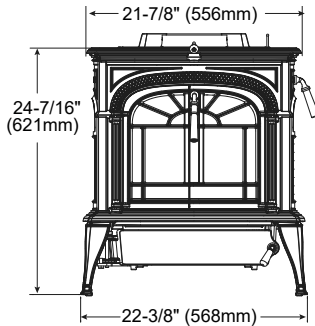


**2-STAGE BURN**  
Damper is closed once stove and flue are sufficiently hot, forcing smoke into the secondary combustion chamber where additional air feeds combustion of gases for secondary burn



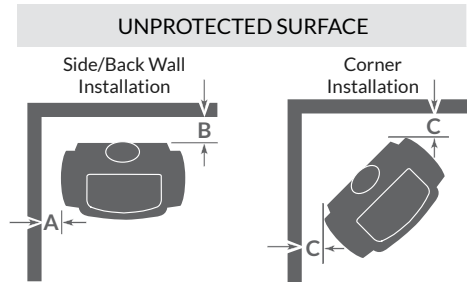
**3-STAGE BURN**  
With catalyst in place, increased efficiency and lower emissions result from a tertiary burning of gases and CO, and enables combustion at much lower temperatures, extending burn times and saving on fuel costs

## Specifications



6" single or double wall pipe	CLEARANCES TO COMBUSTIBLES		
	A	B	C
Top exit, single wall pipe	15" (381 mm)	12" (305 mm)	6-1/2" (165 mm)
Top exit, double wall pipe	11" (279 mm)	10" (254 mm)	6" (152 mm)
Rear exit	15" (381 mm)	13" (330 mm)	N/A

Standard floor protection: 39-1/4" x 44" minimum. See manual for corner floor protection sizes and diagrams, for single and double wall pipe. Refer to manual for complete list of clearances prior to installation.



## Options & Accessories

Vermont Castings offers a variety of accessories to complement the Intrepid FlexBurn. Scan the QR code below to explore.



CAST IRON STEAMER



CAST IRON TRIVET



VERMONT CASTINGS LEATHER GLOVES



MATCHING ENAMEL PIPE



TRANSITION STYLE DOORS



CAST IRON WOOD BIN



WARMING SHELVES

Scan to learn more about our wood stoves



For full warranty details, visit [www.forgenflame.com](http://www.forgenflame.com).

1: BTU/hr output: 1st hour output uses high burn efficiency number. BTU/hr output will vary depending on the type of fuel used and moisture content of the fuel. 2: See your local Vermont Castings authorized dealer for help in determining the product that best suits your heating needs based on climate and home efficiency. 3: Weighted average LHV (Low Heating Value) efficiency. HHV (High Heat Value) efficiency used to qualify products for Tax Credit beginning in 2023.

IMPORTANT - READ BEFORE YOU INSTALL! Refer to the Owner/Installation Manual for complete clearance requirements and specifications. The images and descriptions in this brochure are provided to assist you in product selection only. Vermont Castings is a registered trademark of Hearth & Home Technologies. Product specifications and pricing subject to change without notice. Fireplace, stove and insert surfaces get extremely HOT and can cause burns if touched. Keep a safe distance away. To learn more visit [www.forgenflame.com/pages/fireplace-safety](http://www.forgenflame.com/pages/fireplace-safety). ©2023 Hearth & Home Technologies®. All rights reserved.

[FORGENFLAME.COM](http://FORGENFLAME.COM)

